

INTRODUCING OUR

# MSD SIMPLE PACK & SEAL SYSTEM

THE COST SAVING "PROBLEM SOLVER"  
FOR YOUR CARTON SEALING APPLICATIONS



**2" PRICE**  
CALL FOR PRICE

**OR**

**3" PRICE**  
CALL FOR PRICE

Cannot be combined with other BestPack Promotions.  
Promo subject to end without notice.

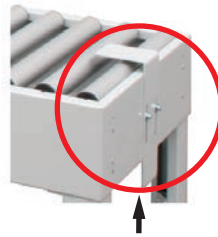
## THE MSD SIMPLE SYSTEM COMES WITH THE FOLLOWING:



MSD Model Top/Bottom Sealer



Infeed & Exit  
Conveyor System



Unique L-Bracket Carton  
Stopper & Carton Holder



Casters on all Legs  
of the System

**GET OVER \$1200 WORTH OF  
ACCESSORIES WITH THIS PROMOTION**

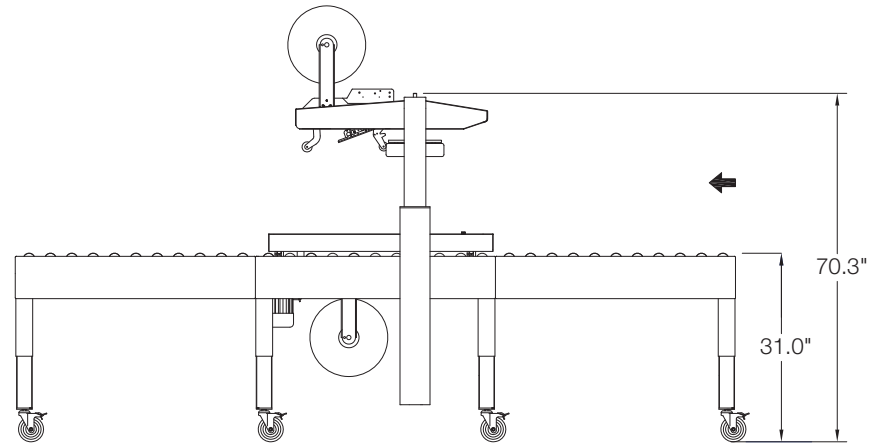
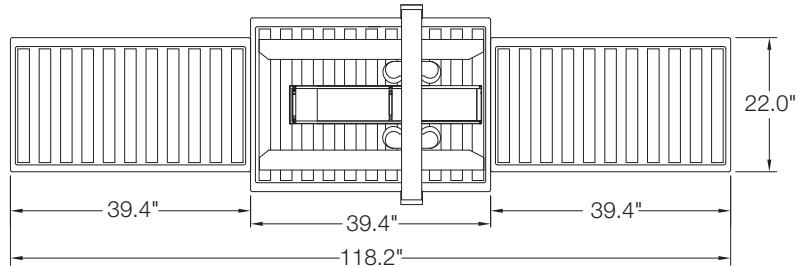
# MANUAL SIDEDRIVE SIMPLE PACK / SEAL SYSTEM

## MAJOR FEATURES

- Two Belt Side Driven
- Telescopic Mast Design
- Extra 4" Carton Height Adjustment Available on Upper Assembly
- Adjustable Bed Height: 27.5" to 34.0"
- Width/Height Adjustment available for either side of carton sealer
- Exclusive 4 Roller Upper Side Compression
- Tape Roll Lengths: 1000 yd., 1500yd., 2000yd.
- Heavy Duty Frame
- UL Approved Electrical Parts
- Capable of Interchanging 2" or 3" Tape Heads
- Electrical on/off box can be mounted on either side of carton sealer.



## MSD SIMPLE SYSTEM FOOTPRINT



## STANDARD FEATURES

- Exclusive Pop-Out Pressure sensitive "high-speed" Tape Head with patented tab adjustment and noise reduction arm
- Operation manual

## SYSTEM SPECIFICATIONS

- Power Requirements: 110 Volts 60Hz
- Tape Head: Standard: 2", Available: 3"
- System Shipping Weight: 495 lbs.

## MSD SIMPLE SYSTEM COMPARISON CHART

Model	SYSTEM Dimensions			Carton Range*			Conveyor Height Adjustment		Shipping Weight (lbs.)
	Length	Width	Height	Length (min. - max.)	Width (min. - max.)	Height (min. - max.)	Height (min. - max.)		
MSD22-2 <b>2" Tape Head</b>	(118.2")	(32.8")	(70.3")	(6.0" - U)	(4.25" - 20.0")	(3.5" - 20.5")	(27.5" - 34.0")		495
MSD22-3 <b>3" Tape Head</b>	(118.2")	(32.8")	(70.3")	(6.0" - U)	(5.25" - 20.0")	(3.5" - 20.5")	(27.5" - 34.0")		495

\*Outside Dimensions Only  
U - Unlimited



For more information please go to:  
[www.colonypackaging.com](http://www.colonypackaging.com) or call us at **1.717.764.5088**

© 2019 BestPack Packaging Systems. All rights reserved. This document is BestPack Public Information.